

RP12 SERIES

OIL FREE - ROCKING PISTON PUMP

PERFORMANCE

- 10.0 - 12.0 Litres/ Min Flow

RP12 DC



RP12 AC



RP12 BLDC



- Designed for continuous duty, the RP12 Series incorporates a long life PTFE piston seal with the capability to run for 10,000 hours.
- Available with a wide variety of motor types and voltages including a BLDC version.
- Sustainable high performance with material options.



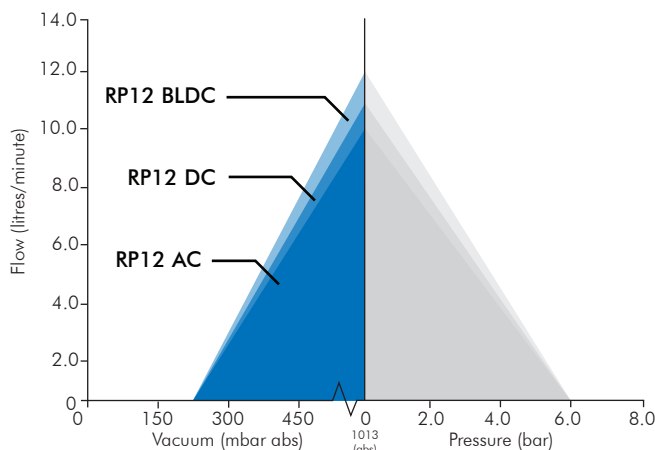
APPLICATIONS

- AUTOCLAVES
- INSTRUMENT CALIBRATION
- PNEUMATIC VALVE OPERATION
- MEDICAL CUFF INFLATION
- VENDING
- HUMIDIFICATION SYSTEMS

IDEAL FOR



PERFORMANCE



PUMP MATERIALS

COMPONENT	MATERIAL
SEAL	PTFE
CYLINDER	ANODISED ALUMINIUM

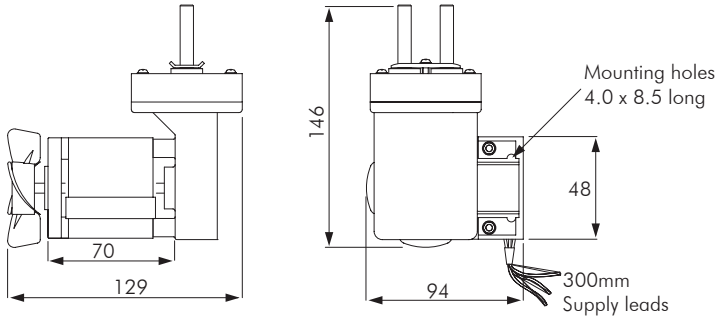


- 110V
- 12V
- BLDC
- 230V
- 24V

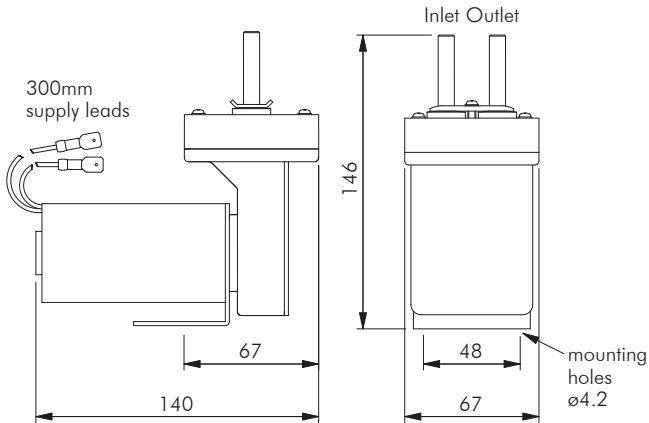
RP12 SERIES | OIL FREE - ROCKING PISTON PUMP

DIMENSIONS (MM)

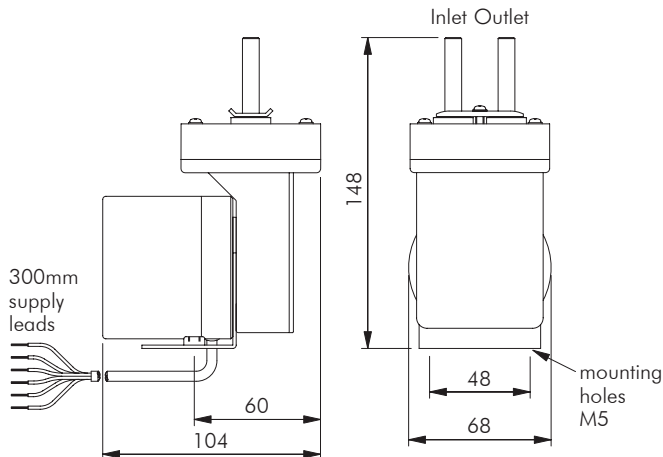
RP12 AC - 1.75 KG



RP12 DC - 1.1 KG



RP12 BLDC - 1.0 KG



VOLTAGE

MODEL	OPERATING CURRENT	MAX LOAD	FUSE RATING
230V 50 Hz	0.5A	0.6A	2.0A
110V 50Hz / 60Hz	1.1A	1.4A	2.0A
12V DC	2.0A	3.0A	4.0A
24V DC	1.0A	1.5A	2.0A
24V BLDC	0.7A	1.4A	2.0A

PERFORMANCE

MODEL	MAX FLOW (L/MIN)	MAX VAC mbar (abs)	MAX PRESSURE (bar)
RP12 AC	10.0	200	6.0
RP12 DC	11.0	200	6.0
RP12 BLDC	12.0	200	6.0

WHY CHOOSE BRUSHLESS MOTORS?

- Longer lasting motor than standard options.
- More economical/ efficient on power.
- Integrated locked rotor protection.
- Better electromagnetic capability (EMC).
- Integrated Tachometer feedback.

MOTOR TYPE

AC VERSION: Skeleton frame, shaded pole with cooling fan and shielded ball races throughout. 2800 RPM. Thermal protection 120 C

DC VERSION: Permanent Magnet 2800 RPM.

BLDC VERSION: Brushless DC motor with integral electronics with speed control.

Please note - it is important that you ensure the motor specification stated and the range of materials offered in the pump are compatible with the performance, environmental limitations and chemical resistance requirements of the application. For further information or details of our extensive range of pumps, contact our technical sales office who will be pleased to help you select the most suitable pump for your application.