

RD SERIES | OIL FREE - DIAPHRAGM PUMPS

PERFORMANCE

- 0.14 - 5.0 Litres/ Min Flow

RD 3



RD01



RD1 DOSING



- Revolutionary patented Rotary Diaphragm pumping principle.
- Extremely high performance from a compact unit, self primes up to 8m.
- Unique reinforced diaphragm provides 10 times the service life of a peristaltic pump.
- Self priming and reversible pump action
- Liquid pump variants voltage suitable for hot and cold liquids.
- No valves, non clogging, will even pump jellies and suspended solids.
- Dosing versions available.



APPLICATIONS

- BEVERAGE DISPENSERS



- CONDENSATE REMOVAL

- IVD ANALYSERS

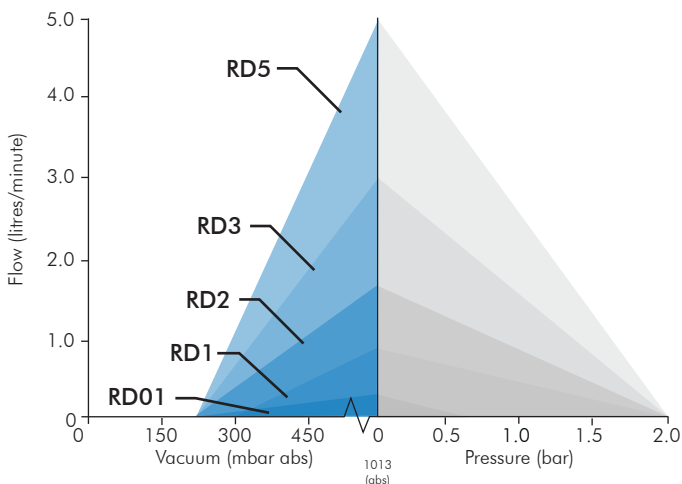
- REFRIGERATION

- LASER COOLING

IDEAL FOR



PERFORMANCE



PUMP MATERIALS

COMPONENT	MATERIAL
HEAD	POLYPROPYLENE
DIAPHRAGM	SANTROPENE

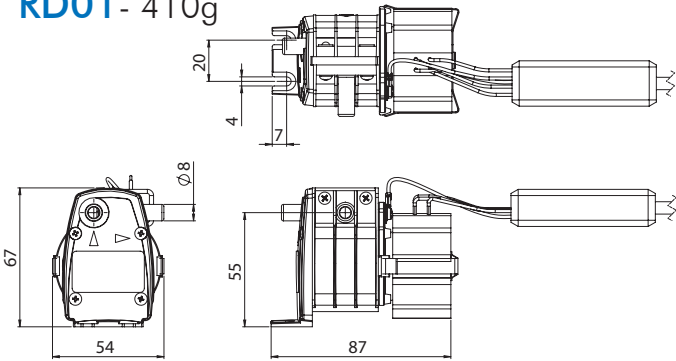


- 12V
- 24V
- BLDC

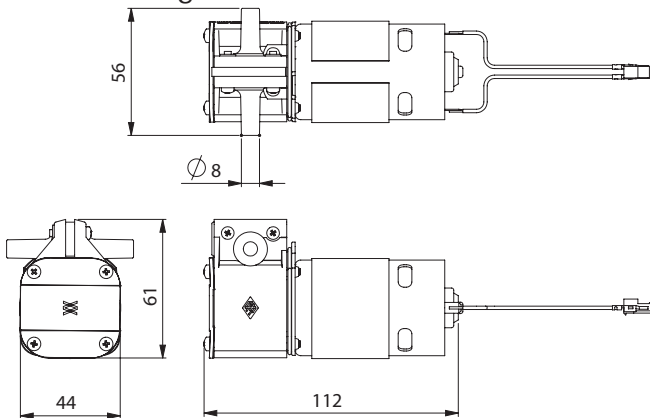
RD SERIES | OIL FREE - DIAPHRAGM PUMPS

DIMENSIONS (MM)

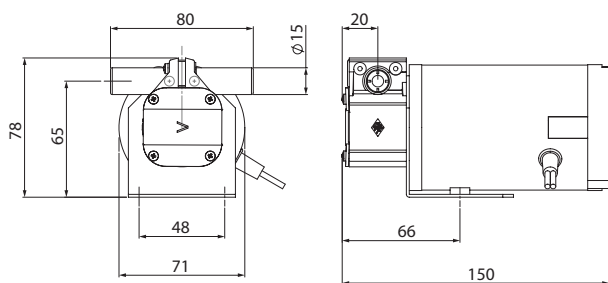
RD01 - 410g



RD1 - 550g



RD2, RD3 - 1.6kg **RD5 DC** - 1.8kg



MOTOR OPTIONS

MODEL	OPERATING CURRENT	MAX LOAD	FUSE RATING
RD01 230V	0.01A	0.03A	1.0A
RD01 110V	0.03A	0.05A	1.0A
RD1 12V/ 24V	0.4A	0.9A	1.0A
RD2 12V	1.5A	2.0A	3.0A
RD2 24V	0.75A	1.5A	3.0A
RD3 12V	4.0A	5.0A	10.0A
RD3 24V	2.7A	3.0A	6.0A
RD5S 12V/ 24V	4.0A	3.0A	10.0A

PERFORMANCE

MODEL	MAX FLOW (L/MIN)	LIFT (M)	MAX PRESSURE (bar)
RD01	0.14	5	0.7
RD1	0.85	8	2.0
RD2	1.7	8	2.0
RD3	3.0	8	2.0
RD5	5.0	8	2.0

CONNECTIONS

RD01, RD1, RD2, RD3, RD5 - 8mm straight connector

RD1, RD2, RD3, RD5 - 15mm straight connector
Various connector orientations are available for ease of installation.

Making all these advantages possible is our advanced rotary diaphragm technology. The liquid is drawn into the pump by vacuum then mechanically driven within a re-inforced elastomer diaphragm to the outlet under pressure. This system even tolerates suspended solids and light slurries and also happily runs dry.

Please note - it is important that you ensure the motor specification stated and the range of materials offered in the pump are compatible with the performance, environmental limitations and chemical resistance requirements of the application. For further information or details of our extensive range of pumps, contact our technical sales office who will be pleased to help you select the most suitable pump for your application.