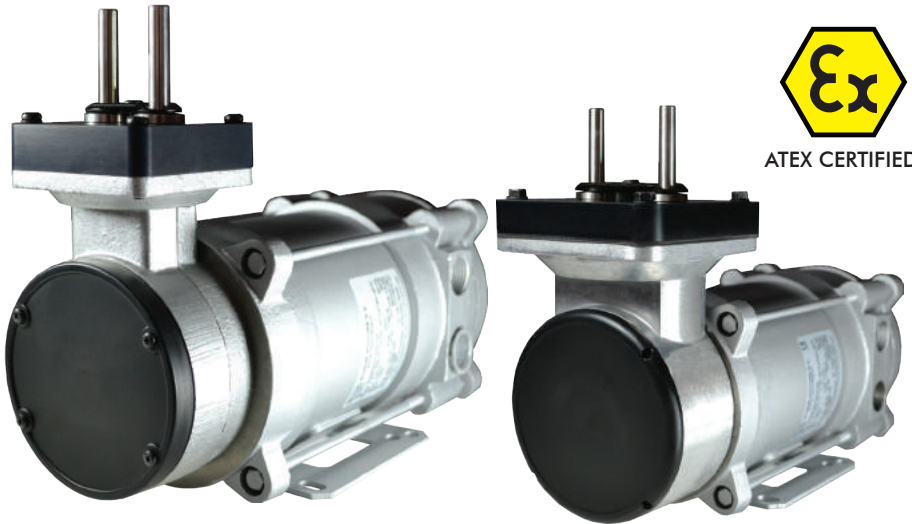


# EX7 & EX30

OIL FREE - EXPLOSION PROOF PUMP

## PERFORMANCE

- 7-17 Litres/ Min Flow



## APPLICATIONS

- ENVIRONMENTAL MONITORING
- HAZARDOUS AREA SAMPLING
- CHEMICAL PROCESSING

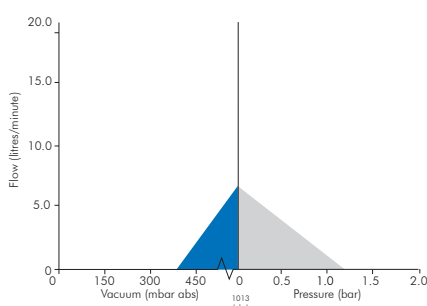
- Clean oil free vacuum and pressure source in potentially explosive environments
- Robust construction ensures long term reliability even in continuous duty applications
- Explosion proof motor, for certified instillation in zone 1 and 2 areas to the enclosure group class EExd T4 IIC

### IDEAL FOR

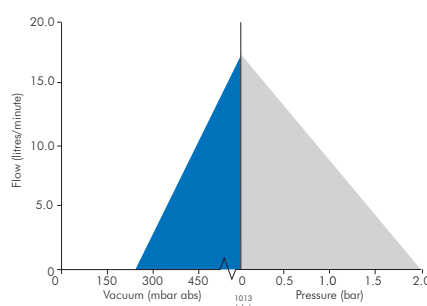


## PERFORMANCE

### EX7



### EX30



## PUMP MATERIALS

COMPONENT	MATERIAL
HEAD	ALUMINIUM
DIAPHRAGM/ VALVES	EPDM / NITRILE
CONNECTORS	STAINLESS STEEL
'O' RING	NITRILE



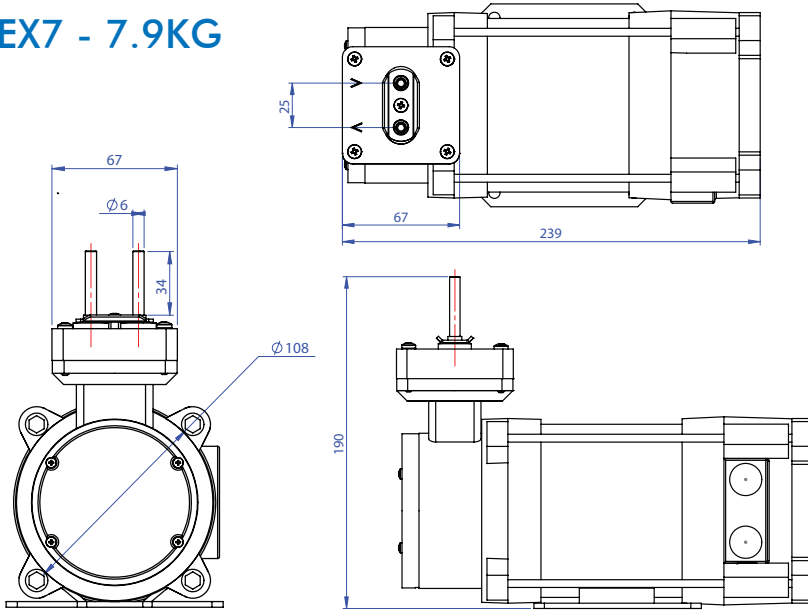
- 110V
- 230V

VOLTAGE OPTION

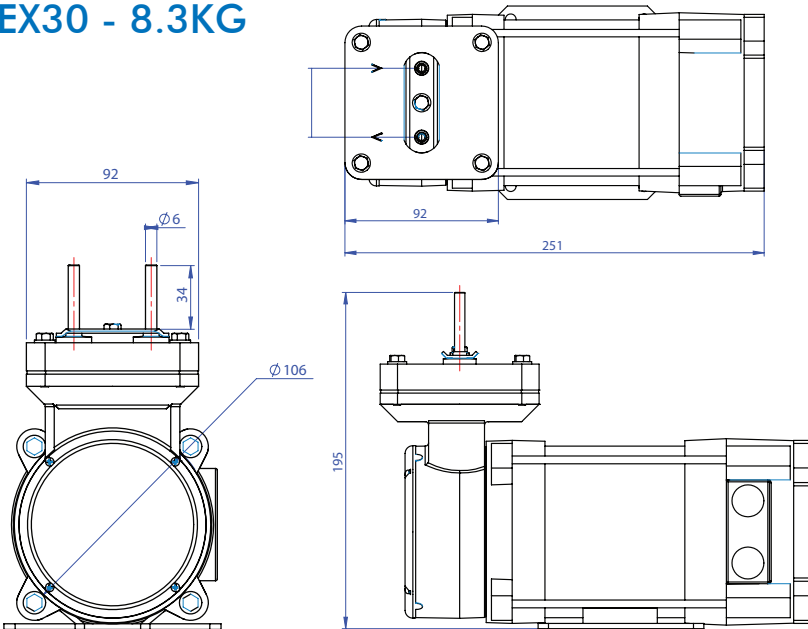
# EX7 & EX30 | OIL FREE - EXPLOSION PROOF PUMP

## DIMENSIONS (MM)

### EX7 - 7.9KG



### EX30 - 8.3KG



## VOLTAGE 110/115V (50/60HZ)

MODEL	OPERATING CURRENT	MAX LOAD	FUSE RATING
EX7	0.8A	1.2A	2.0A

## VOLTAGE 230V (50 HZ)

MODEL	OPERATING CURRENT	MAX LOAD	FUSE RATING
EX7	0.4A	0.6A	1.0A

## PERFORMANCE

MODEL	MAX FLOW (L/MIN)	MAX VAC mbar (abs)	MAX PRESSURE (bar)
EX7	7.0	430	1.2

## VOLTAGE 110/115V (50/60HZ)

MODEL	OPERATING CURRENT	MAX LOAD	FUSE RATING
EX30	0.8A	1.2A	2.0A

## VOLTAGE 230V (50 HZ)

MODEL	OPERATING CURRENT	MAX LOAD	FUSE RATING
EX30	0.4A	0.6A	1.0A

## PERFORMANCE

MODEL	MAX FLOW (L/MIN)	MAX VAC mbar (abs)	MAX PRESSURE (bar)
EX30	17.0	270	2.0

## CONNECTORS

Plain, vertical, stainless steel 8.0mm OD

OPTIONAL: Plain, vertical, stainless steel 6.0, 6.4mm OD and barbed, vertical, PTFE, 8.0mm OD

Please note - it is important that you ensure the motor specification stated and the range of materials offered in the pump are compatible with the performance, environmental limitations and chemical resistance requirements of the application. For further information or details of our extensive range of pumps, contact our technical sales office who will be pleased to help you select the most suitable pump for your application.

## MOTOR TYPE

IP65

Totally enclosed permanent capacitor - Explosion Proof

Electrical Connection: M20 threads to take cable glands for power and control circuit connections