

DYMAX 8

OIL FREE - LABORATORY DIAPHRAGM PUMP

PERFORMANCE

- 8.0 Litres/ Min Flow



- Clean oil free vacuum and pressure source in a very quiet, compact unit.
- Models can be upgraded with an optional variety of materials resistant to a wide range of corrosive gases and vapours
- Featuring a tough plastic PC case and rubber feet.



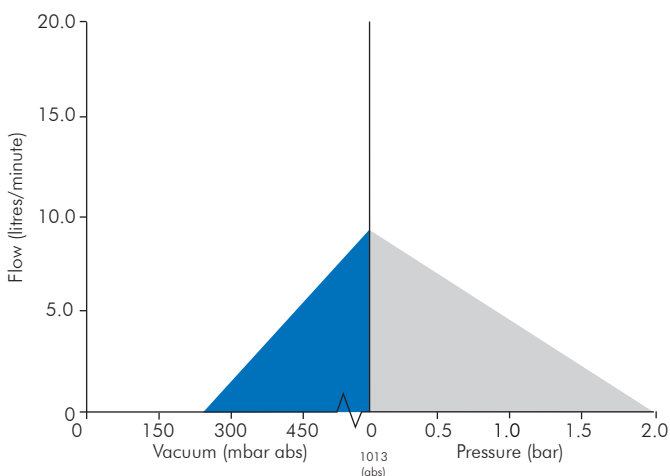
APPLICATIONS

- ASPIRATION
- GENTLE FUME EXTRACTION
- PICK & PLACE
- MICROBIOLOGY
- FILTRATION
- BEAUTY THERAPY

IDEAL FOR



PERFORMANCE



PUMP MATERIALS

COMPONENT	MATERIAL
HEAD	NYLON
VALVES	EPDM
DIAPHRAGM	EPDM



- 110V
- 230V

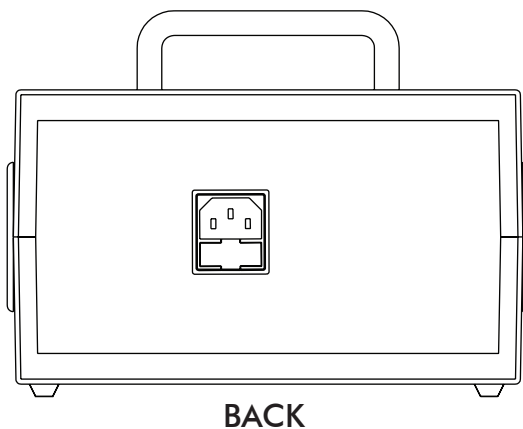
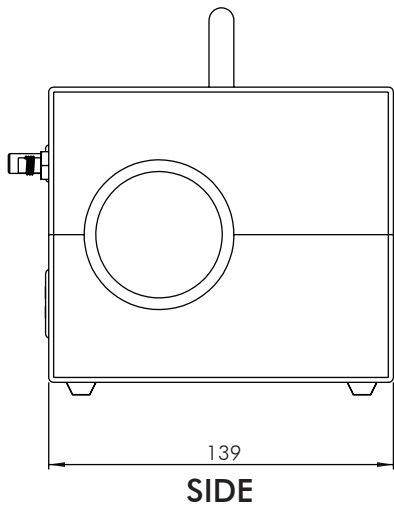
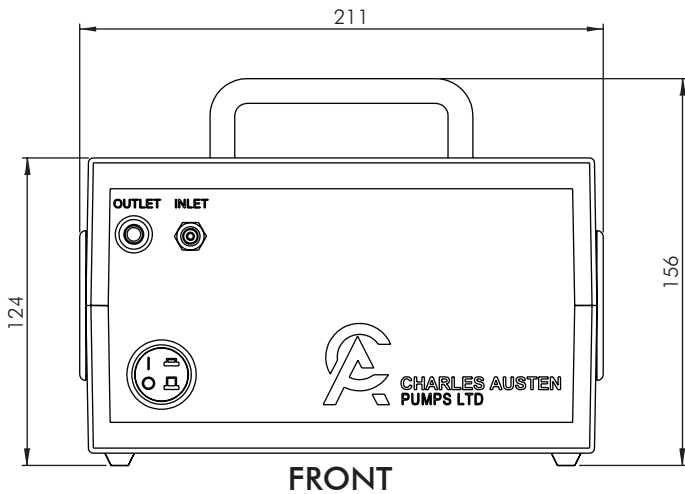
VOLTAGE OPTION

DYMAX 8

OIL FREE - LABORATORY DIAPHRAGM PUMP

DIMENSIONS (MM)

CAPEX 8C - 1204G



VOLTAGE 110/115V (50/60HZ)

MODEL	OPERATING CURRENT	MAX LOAD	FUSE RATING
CAPEX 8C	0.5A	0.6A	2.0A

VOLTAGE 230V (50 HZ)

MODEL	OPERATING CURRENT	MAX LOAD	FUSE RATING
CAPEX 8C	220mA	0.3A	1.0A

PERFORMANCE

MODEL	MAX FLOW (L/MIN)	MAX VAC mbar (abs)	MAX PRESSURE (bar)
CAPEX 8C	8.0	240	2.0

OTHER LABORATORY PUMPS IN THE RANGE

DYMAX 5



- Max Flow: 5.0 l/min
- Max Vacuum: 500 mbar
- Max Pressure: 0.8 bar
- Size: 210 x 151 x 125mm
- Connector Size: 4mm

DYMAX 5 -VAC TWZR



- Max Flow: 5.0 l/min
- Max Vacuum: 500 mbar
- Max Pressure: 0.8 bar
- Size: 210 x 151 x 125mm
- Connector Size: 4mm

DYMAX 14



- Max Flow: 14.0 l/min
- Max Vacuum: 240 mbar
- Max Pressure: 2.0 bar
- Size: 210 x 151 x 125mm
- Connector Size: 4mm

Please note - it is important that you ensure the motor specification stated and the range of materials offered in the pump are compatible with the performance, environmental limitations and chemical resistance requirements of the application. For further information or details of our extensive range of pumps, contact our technical sales office who will be pleased to help you select the most suitable pump for your application.