

# DYMAX 5 | WITH OPTIONAL VACUUM TWEEZER ACCESSORY OIL FREE - LABORATORY DIAPHRAGM PUMP

## PERFORMANCE

- 5.0 Litres/ Min Flow



- Clean oil free vacuum or pressure source, in a tough and compact polycarbonate case which conforms to IEC 1010 safety.
- Whisper quiet, continuous operation and ruggedly reliable.
- Optional vacuum tweezers for safe, but positive handling of small micro components and dedicated materials such as gold-leaf.



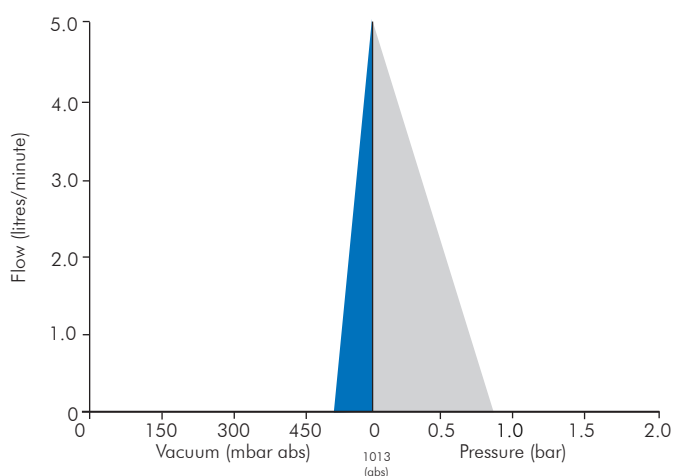
## APPLICATIONS

- ASPIRATION
- MICROBIOLOGY
- GENTLE FUME EXTRACTION
- AIR SAMPLING

### IDEAL FOR



## PERFORMANCE



## PUMP MATERIALS

COMPONENT	MATERIAL
HEAD	NYLON
VALVES	NITRILE
DIAPHRAGM	EPDM
CONNECTORS	NYLON
'O' RING	NITRILE

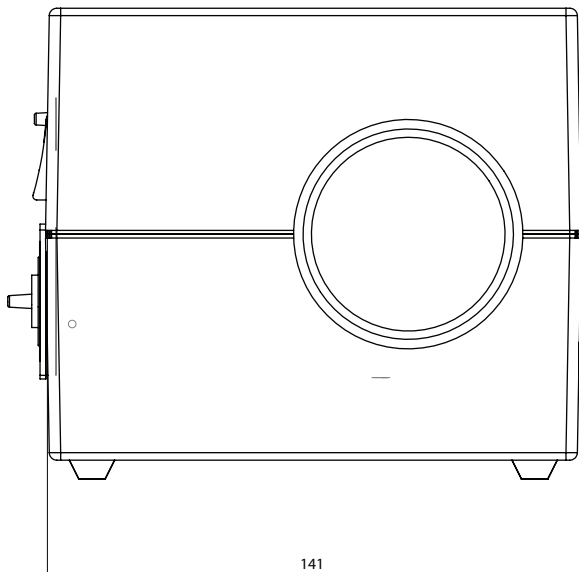
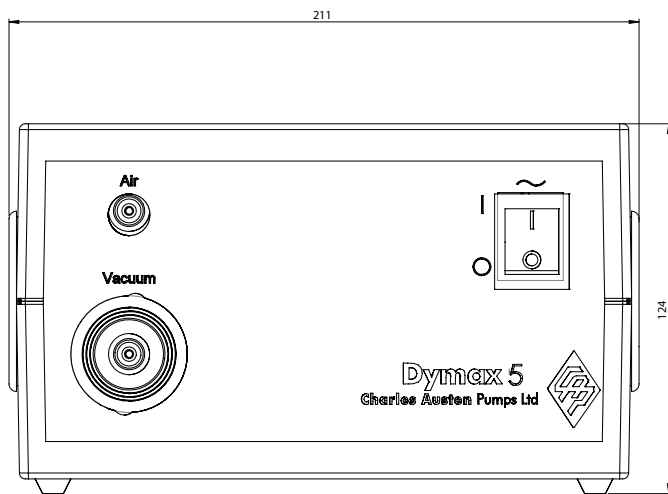
 • 110V  
• 230V  
VOLTAGE OPTION

# DYMAX 5

OIL FREE - LABORATORY DIAPHRAGM PUMP

## DIMENSIONS (MM)

DYMAX 5 - 1.9KG



## VOLTAGE 110/115V (50/60HZ)

MODEL	OPERATING CURRENT	MAX LOAD	FUSE RATING
DYMAX 5	0.7A	0.9A	1.0A

## VOLTAGE 230V (50 HZ)

MODEL	OPERATING CURRENT	MAX LOAD	FUSE RATING
DYMAX 5	0.2A	0.3A	630mA

## PERFORMANCE

MODEL	MAX FLOW (L/MIN)	MAX VAC mbar (abs)	MAX PRESSURE (bar)
DYMAX 5	5.0	500	0.8

## OPTIONAL VACUUM TWEEZER ACCESSORY:

SIZE	DIA x LENGTH (mm)	
17G	1.45 x 60	STANDARD
19G	1.1 x 50	STANDARD
23G	0.65 x 50	STANDARD
13G	2.5 x 50	OPTIONAL

## MOTOR TYPE

Skeleton frame, shaded pole with shielded ball races throughout.

2800RPM

Thermal protection 125°C

## CONNECTORS

Integral, plain, Polypropylene 4.0mm OD

Please note - it is important that you ensure the motor specification stated and the range of materials offered in the pump are compatible with the performance, environmental limitations and chemical resistance requirements of the application. For further information or details of our extensive range of pumps, contact our technical sales office who will be pleased to help you select the most suitable pump for your application.