

DYMAX 14 | OIL FREE - LABORATORY DIAPHRAGM PUMP

PERFORMANCE

- 14.0 Litres/ Min Flow



- Clean oil free vacuum or pressure source, in a tough and compact polycarbonate case which conforms to IEC 1010 safety.
- Whisper quiet, continuous operation and ruggedly reliable.
- Featuring a tough plastic PC case and rubber feet.



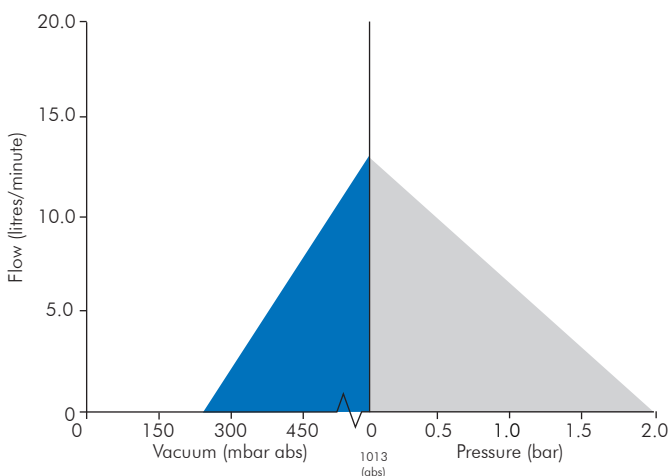
APPLICATIONS

- ASPIRATION
- GENTLE FUME EXTRACTION
- PICK & PLACE
- MICROBIOLOGY
- FILTRATION
- BEAUTY THERAPY

IDEAL FOR



PERFORMANCE



PUMP MATERIALS

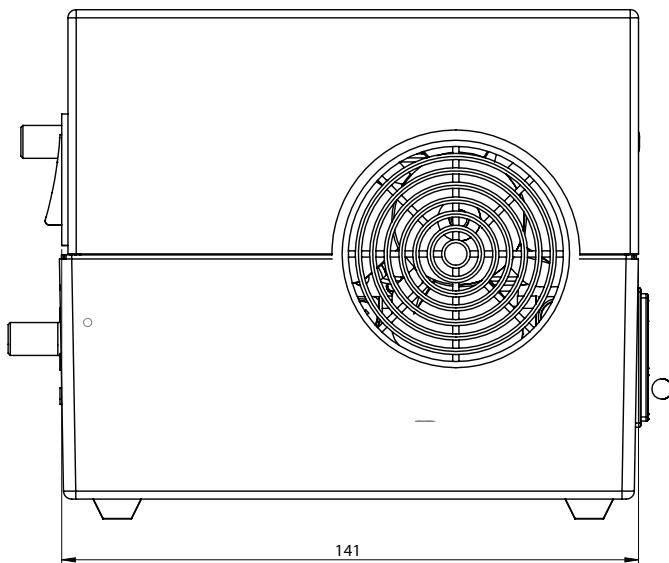
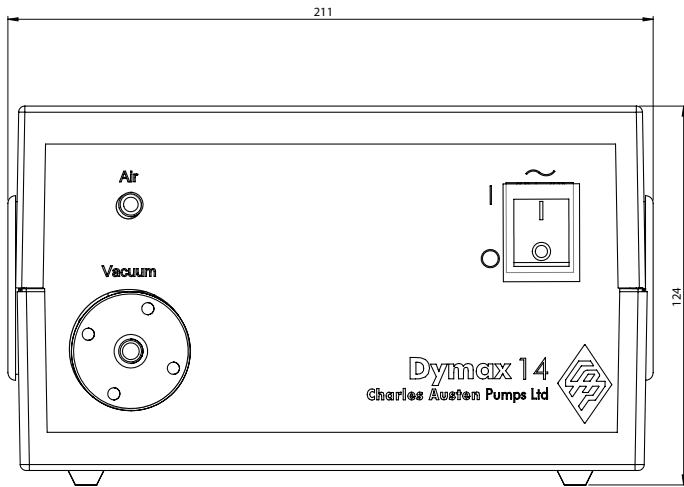
COMPONENT	MATERIAL
HEAD	NYLON
VALVES	NITRILE
DIAPHRAGM	EPDM

- 
- 110V
 - 230V
- VOLTAGE OPTION

DYMAX 14 | OIL FREE - LABORATORY DIAPHRAGM PUMP

DIMENSIONS (MM)

DYMAX 14 - 2.3KG



CONNECTORS

Integral, plain, Polypropylene 8.0mm OD

VOLTAGE 110/115V (50/60HZ)

MODEL	OPERATING CURRENT	MAX LOAD	FUSE RATING
DYMAX 14	0.5A	0.6A	2.0A

VOLTAGE 230V (50 HZ)

MODEL	OPERATING CURRENT	MAX LOAD	FUSE RATING
DYMAX 14	220A	0.3A	1.0A

PERFORMANCE

MODEL	MAX FLOW (L/MIN)	MAX VAC mbar (abs)	MAX PRESSURE (bar)
DYMAX 14	14.0	240	1.5

OTHER LABORATORY PUMPS IN THE RANGE

DYMAX 5



- Max Flow: 5.0 l/min
- Max Vacuum: 500 mbar
- Max Pressure: 0.8 bar
- Size: 210 x 151 x 125mm
- Connector Size: 4mm

DYMAX 5 -VAC TWZR



- Max Flow: 5.0 l/min
- Max Vacuum: 500 mbar
- Max Pressure: 0.8 bar
- Size: 210 x 151 x 125mm
- Connector Size: 4mm

DYMAX 8



- Max Flow: 8.0 l/min
- Max Vacuum: 240 mbar
- Max Pressure: 2.0 bar
- Size: 210 x 151 x 125mm
- Connector Size: 8mm

Please note - it is important that you ensure the motor specification stated and the range of materials offered in the pump are compatible with the performance, environmental limitations and chemical resistance requirements of the application. For further information or details of our extensive range of pumps, contact our technical sales office who will be pleased to help you select the most suitable pump for your application.