

DL2 SERIES

OIL FREE - LIQUID DIAPHRAGM PUMP

PERFORMANCE

- 1.6 Litres/ Min Flow

DL2



DL2 AC



- Clean oil free vacuum and pressure source in a very quiet, compact unit.
- Lightweight components, slim line design and low operating current - ideal for applications where space is at a premium.
- Models can be upgraded with an optional variety of materials resistant to a wide range of corrosive gases and vapours
- Optional brushless motor designed for continuous duty, low maintenance applications
- Models available for use with AC or DC supply.



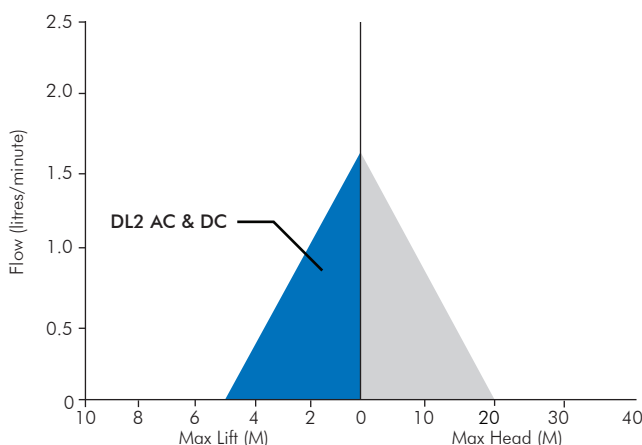
APPLICATIONS

- LIQUID DISPENSING
- SOLAR HEATING
- CONDENSATE REMOVAL
- SAMPLE TRANSFER
- VENDING
- PRINTING
- CHEMICAL SAMPLING

IDEAL FOR



PERFORMANCE



PUMP MATERIALS

COMPONENT	MATERIAL
HEAD	NYLON
VALVES	EPDM
DIAPHRAGM	EPDM



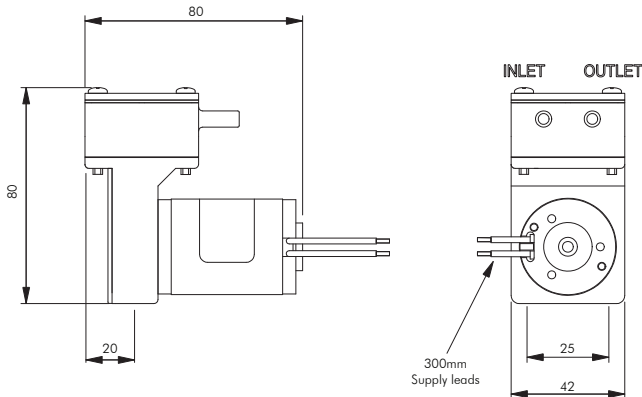
- 110V
- 12V
- 230V
- 24V

DL2 SERIES

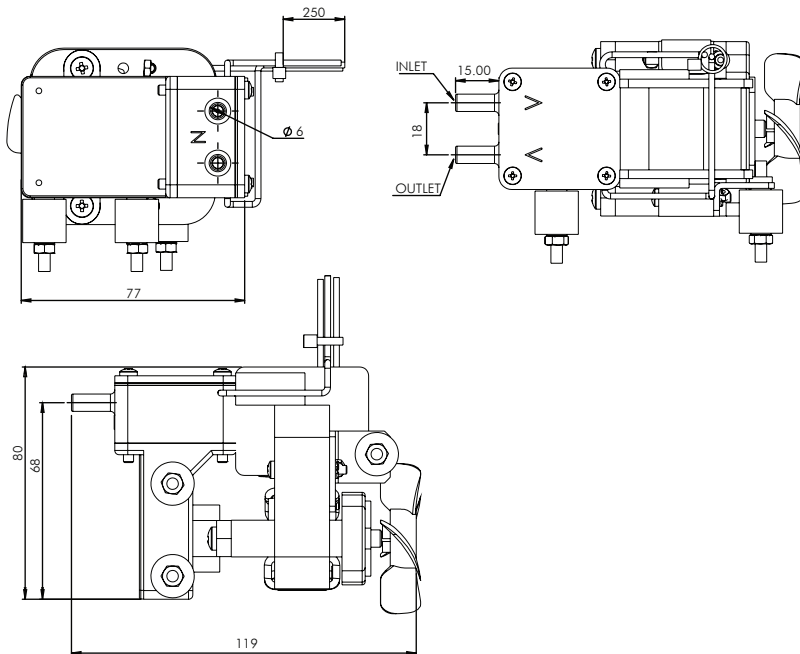
OIL FREE - LIQUID DIAPHRAGM PUMP

DIMENSIONS (MM)

DL2 - 0.8 KG



DL2 AC - 1.3 KG



MOTOR TYPE

AC VERSION: Skeleton frame, shaded pole with cooling fan and shielded ball races throughout. 2800 RPM. Thermal protection 125 C

DC VERSION: Permanent Magnet.

Please note - it is important that you ensure the motor specification stated and the range of materials offered in the pump are compatible with the performance, environmental limitations and chemical resistance requirements of the application. For further information or details of our extensive range of pumps, contact our technical sales office who will be pleased to help you select the most suitable pump for your application.

VOLTAGE - 230V 50Hz (24V DC)

MODEL	OPERATING CURRENT	MAX LOAD	FUSE RATING
DL2 110V AC	0.8A	0.9A	2.0A
DL2 12V DC	1.0A	1.5A	3.0A
DL2 230V AC	0.45A	0.5A	1.0A
DL2 24V DC	0.5A	0.8A	2.0A

PERFORMANCE

MODEL	MAX FLOW (L/MIN)	MAX VAC mbar (abs)	MAX HEAD (M)
DL2 110V AC	1.6	500	10
DL2 12V DC	1.6	500	10
DL2 230V AC	1.6	500	10
DL2 24V DC	1.6	500	10



BESPOKE DESIGN PUMPS

Charles Austen pumps offer the ability to design and manufacture bespoke pumps to fit your requirements perfectly. In fact it's our speciality and what sets us apart from the wider one-trick pony market.

With everything from tool making to assembly carried out in house we have total control over every aspect of the process ensuring outstanding quality and product reliability.