

D7 SERIES

OIL FREE - DIAPHRAGM PUMP

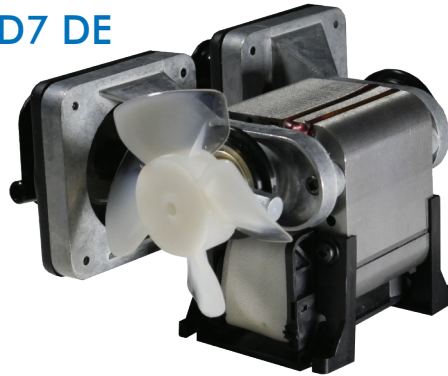
PERFORMANCE

- 14.0 - 26.0 Litres/ Min Flow

D7 SE



D7 DE



- Vacuum pump compressor provides a clean oil free vacuum and pressure source.
- Suitable for continuous duty and sumping applications where reliability is essential.
- Offers over 8000 hours of performance between service intervals.
- Designed for compact installations, the D7 series offers excellent performance for its size.
- Available with a variety of mounting brackets and anti-vibration mounts for easy installation.



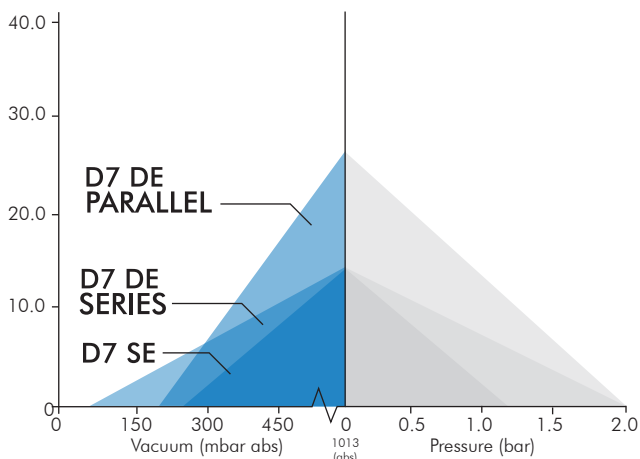
APPLICATIONS

- AIR SAMPLING
- GAS SAMPLING
- BLOOD PRESSURE MONITORS
- BENCHTOP AUTO CLAVES
- MEDICAL SUCTION
- EMISSIONS MONITORING

IDEAL FOR



PERFORMANCE



PUMP MATERIALS

COMPONENT	MATERIAL
HEAD	NYLON
VALVES	EPDM
DIAPHRAGM	EPDM



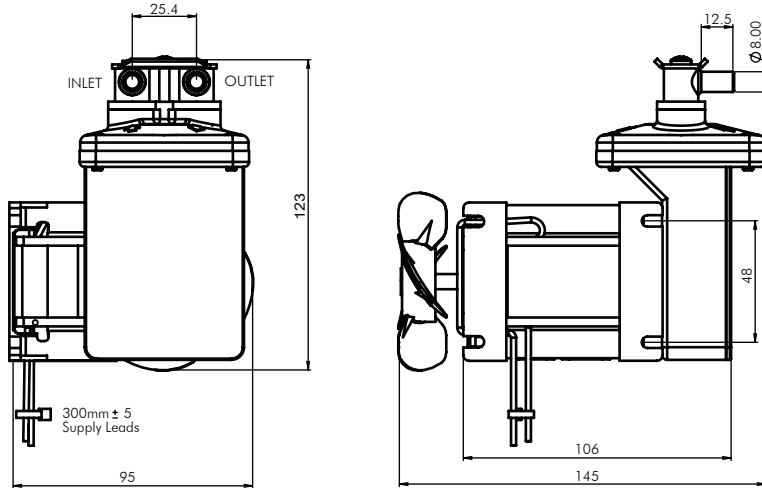
- 110V • 50/60 Hz
- 230V • 50/60 Hz

D7 SERIES

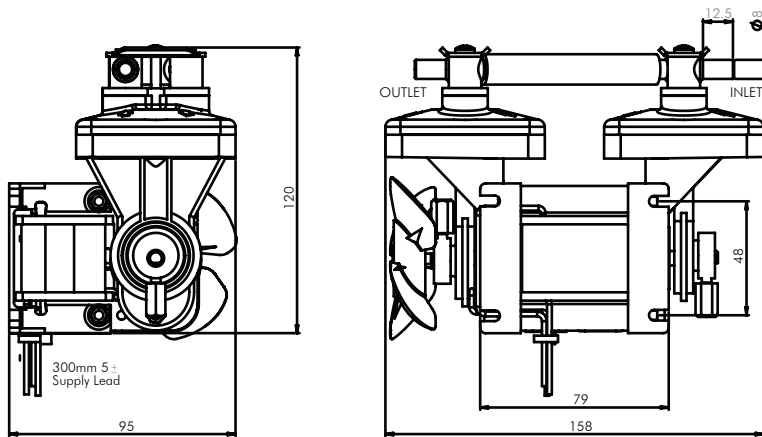
OIL FREE - DIAPHRAGM PUMP

DIMENSIONS (MM)

D7 SE - 1.6 KG



D7 DE - 2.0 KG



VOLTAGE 110V 50/60Hz

MODEL	OPERATING CURRENT	MAX LOAD	FUSE RATING
D7 SE	1.8A	0.9A	2.0A
D7 SE	1.1A	1.4A	2.0A

VOLTAGE 230V 50/60Hz

MODEL	OPERATING CURRENT	MAX LOAD	FUSE RATING
D7 SE	0.45A	0.5A	2.0A
D7 DE	0.5A	0.6A	2.0A

PERFORMANCE

MODEL	MAX FLOW (L/MIN)	MAX VAC mbar (abs)	MAX PRESSURE (bar)
D7 SE	14.0	240	1.8
D7 DE (SERIES)	14.0	80	2.0*
D7 DE (PARALLEL)	26.0	240	1.8

SERIES & PARALLEL PUMPS

With twin headed pumps it is possible to connect the fluid ports of the pumps in 3 distinct configurations.

Connecting a pump in series directs the outlet of the first stage to the inlet of the second stage. The result of this is a higher achievable pressure and vacuum level. Flow will be equivalent to a single headed pump.

Connecting a pump in parallel bridges both stages' inlet and outlet together. This has the effect of approximately doubling the flow. Vacuum and pressure levels will be equivalent to a single headed pump.

It is also possible to connect the two heads separately. This allows you to pump 2 different media if required, or even have different performances of each head if required.

Please note - it is important that you ensure the motor specification stated and the range of materials offered in the pump are compatible with the performance, environmental limitations and chemical resistance requirements of the application. For further information or details of our extensive range of pumps, contact our technical sales office who will be pleased to help you select the most suitable pump for your application.