

D16 DUPLEX BLDC

OIL FREE - VACUUM PUMP ONLY DIAPHRAGM PUMP

PERFORMANCE

- 30.0 Litres/ Min Flow



- Long life efficient Brushless DC motor, with speed control and speed output.
- Using the PWM speed control flow rates can be varied from 3 to 30 L/PM. Lower noise levels at lower speeds, <60Db at 20 L/PM.
- Ideal for applications where light weight, compact size and long life are critical.
- BLDC for extended life and low EMC.
- Low power consumption is ideal for battery powered applications.
- Built in locked rotor and over temperature protection.



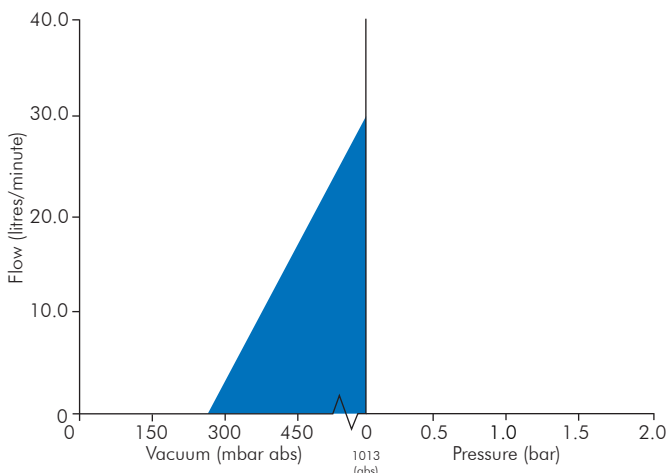
APPLICATIONS

- PORTABLE SUCTION UNITS
- ASPIRATORS
- AIR SAMPLING
- ANALYSERS
- GAS SAMPLERS
- VACUUM HOLDING MACHINES

IDEAL FOR



PERFORMANCE



PUMP MATERIALS

| COMPONENT | MATERIAL |
|-----------|----------|
| HEAD | NYLON |
| VALVES | SARLINK |
| DIAPHRAGM | SARLINK |



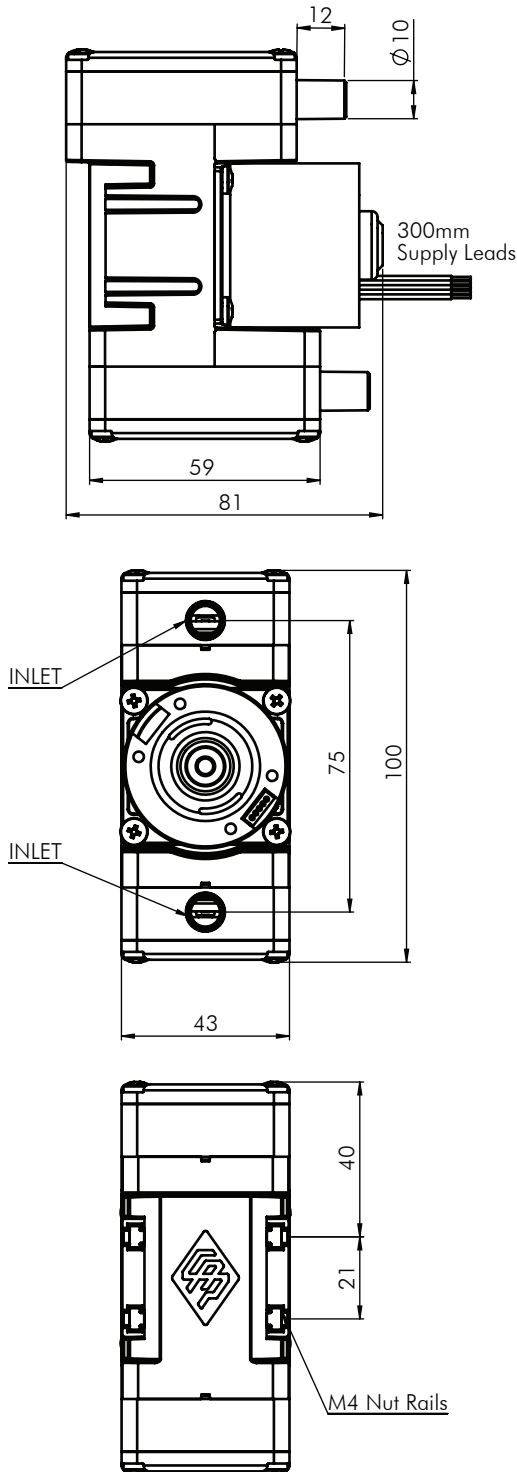
- 12V

D16 DUPLEX BLDC

OIL FREE - VACUUM PUMP ONLY DIAPHRAGM PUMP

DIMENSIONS (MM)

D16 DUPLEX - 380G



VOLTAGE 12V DC

| MODEL | OPERATING CURRENT | MAX LOAD | FUSE RATING |
|------------|-------------------|----------|-------------|
| D16 DUPLEX | 1.6A | 2.2A | 3.0A |

PERFORMANCE

| MODEL | MAX FLOW (L/MIN) | MAX VAC mbar (abs) | mm Hg (bar) |
|------------|------------------|--------------------|-------------|
| D16 DUPLEX | 30.0 | 250 | 560 |

WHY CHOOSE BRUSHLESS MOTORS?

- Longer lasting motor.
- More economical/ efficient power consumption.
- Integrated locked rotor.
- Better electromagnetic compatibility (EMC).
- Integrated Tachometer feedback.

LEAD WIRES & FUNCTIONS

All wires are 26AWG 300mm +/- 10mm in length

Red Wire: VCC - Motor supply

Green Wire: FG - Speed feedback - 6 pulses per RPM

Yellow Wire: CW/ CCW - Motor rotation direction control. Not used.

Blue Wire: PWM - Pulse width modulation for motor speed control.

Black Wire: GND - Connect to 0V

Please note - it is important that you ensure the motor specification stated and the range of materials offered in the pump are compatible with the performance, environmental limitations and chemical resistance requirements of the application. For further information or details of our extensive range of pumps, contact our technical sales office who will be pleased to help you select the most suitable pump for your application.