

# C50/C50+ SERIES

OIL FREE - CENTRIFUGAL LIQUID PUMP

## PERFORMANCE

50 Litres/ Min Flow



- Oil free, low maintenance pumping
- Designed for continuous duty, smooth pulse free output
- Compact design and integral mounting bracket, ideal for low space installations



## APPLICATIONS

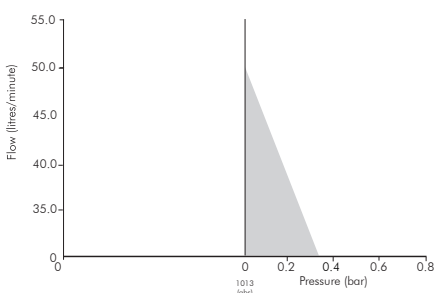
- LASER COOLING
- COOLANT RECIRCULATION
- LIQUID TRANSFER
- LUBRICATION OIL PUMPING

## IDEAL FOR

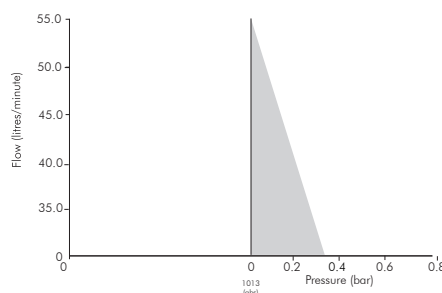


## PERFORMANCE

### C50



### C50+



## PUMP MATERIALS

COMPONENT	MATERIAL
IMPELLER AND HOUSING	NORYL
PUMP SHAFT	STAINLESS STEEL
SEAL & 'O' RING	NITRILE



VOLTAGE OPTION

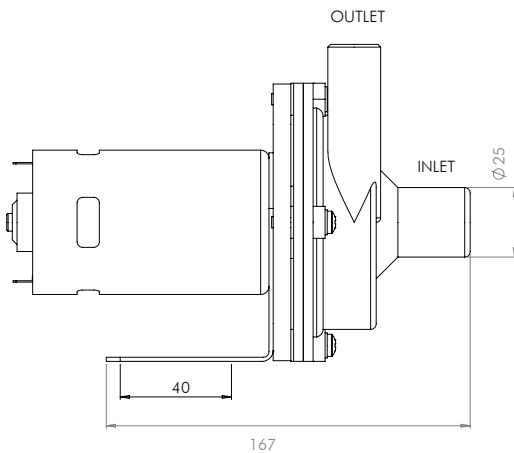
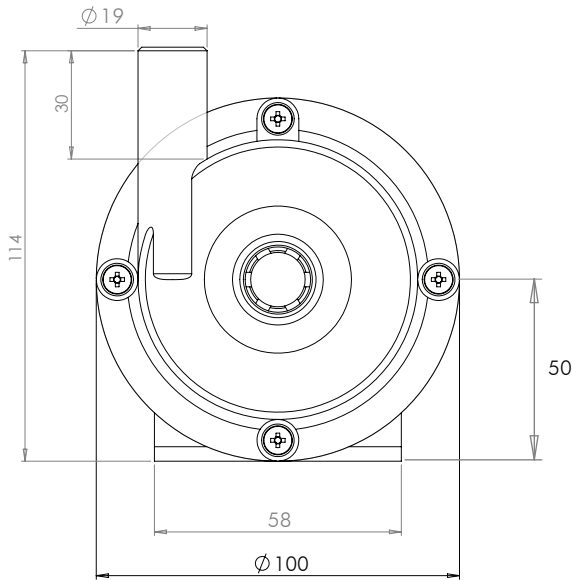
- 24V

# C50/C50+ SERIES

OIL FREE - CENTRIFUGAL LIQUID PUMP

## DIMENSIONS (MM)

C50/C50+: 1.0KG



## VOLTAGE 24V DC

MODEL	OPERATING CURRENT	MAX LOAD	FUSE RATING
C50	4.5A	5.2A	10.0A
C50+	4.5A	20.0A <small>*Max permissible load 13.0A</small>	13.0A

## PERFORMANCE

MODEL	MAX FLOW (L/MIN)	MAX HEAD (M)	MAX PRESSURE (bar)
C50	50.0	8.0	0.8
C50+	55.0	10.0	1.0

## WHY CHOOSE CENTRIFUGAL PUMP TECHNOLOGY?

- Smooth pulse free output.
- Low cost solution to OEM liquid
- No Valves, non-clogging
- 24V DC pump with integrated bracket.

## CONNECTORS

Inlet Size: 25.0mm OD

Outlet Size: 19.0mm OD

## MOTOR TYPE

DC Permanent magnet

Please note - it is important that you ensure the motor specification stated and the range of materials offered in the pump are compatible with the performance, environmental limitations and chemical resistance requirements of the application. For further information or details of our extensive range of pumps, contact our technical sales office who will be pleased to help you select the most suitable pump for your application.