

DUCTING KIT

3 YEAR
WARRANTY



PURCHASE CODE

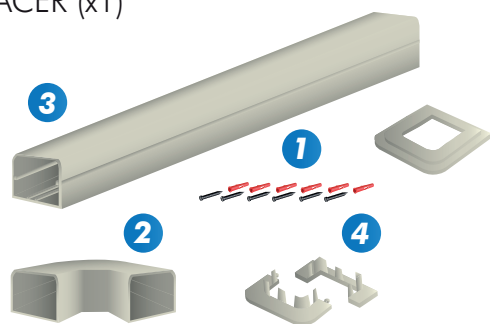
T18-026

The BlueDiamond Fascia kit has been specially adapted to fit the MICROBLUE® condensate pump. It can accommodate the pump and the new clear reservoir with the ability to hide various cables and tubing at the same time. The Fascia kit has a easy to use detachable cover and sits nicely under any Air Conditioning Unit.

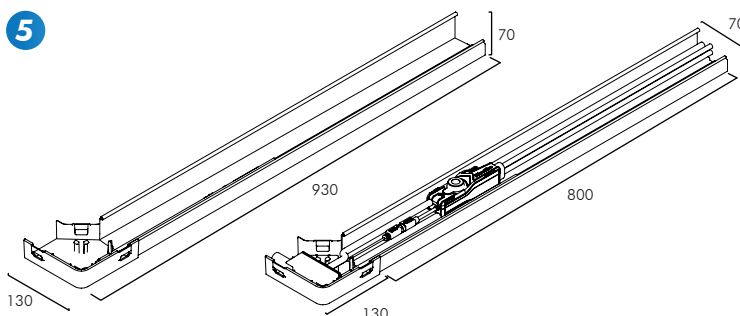
PUMP NOT INCLUDED

IN THE BOX

1. SCREWS (x6)
2. ELBOW (x1)
3. DUCTING (x1)
4. COLLAR (x1)
5. SPACER (x1)



DIMENSIONS (MM)



AVAILABLE COLOUR

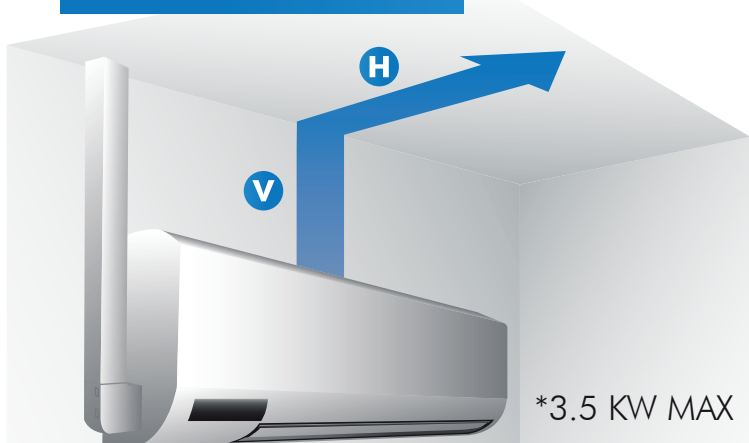
RAL.9003



RAL.9002



DISCHARGE PIPE RUN



*3.5 KW MAX

V (VERTICAL)	H (HORIZONTAL)
5 M	0 M
4 M	3 M
3 M	6 M
2 M	9 M
1 M	12 M

The MICROBLUE® can be mounted in any orientation up to 2m away from the air conditioning unit.